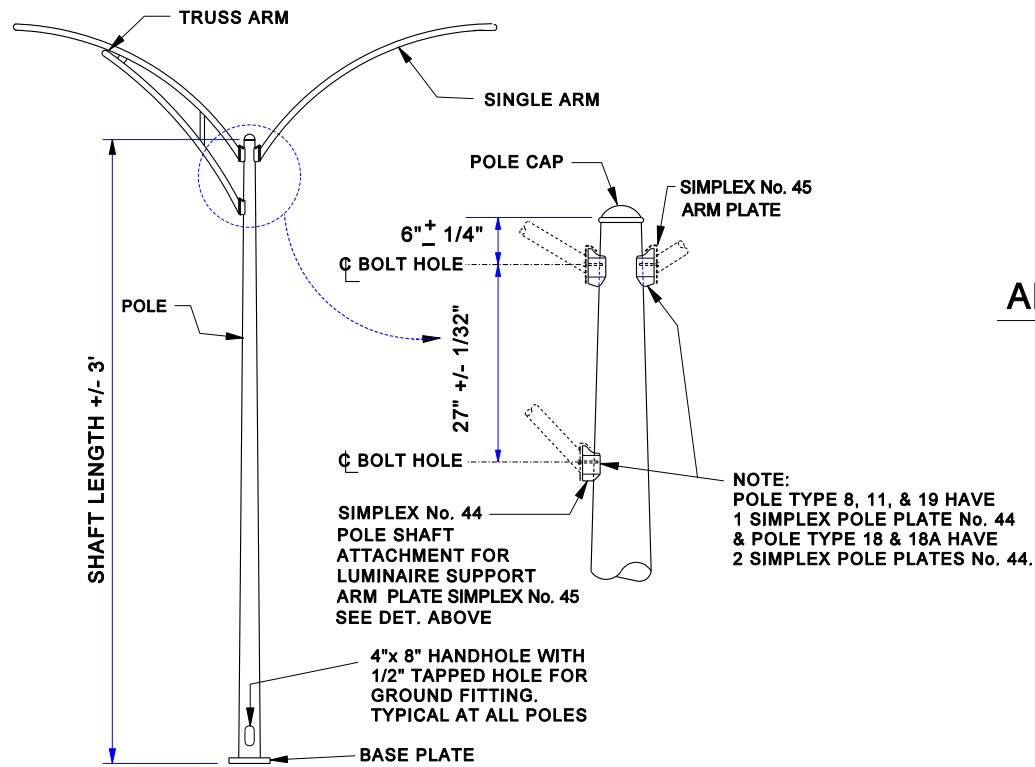


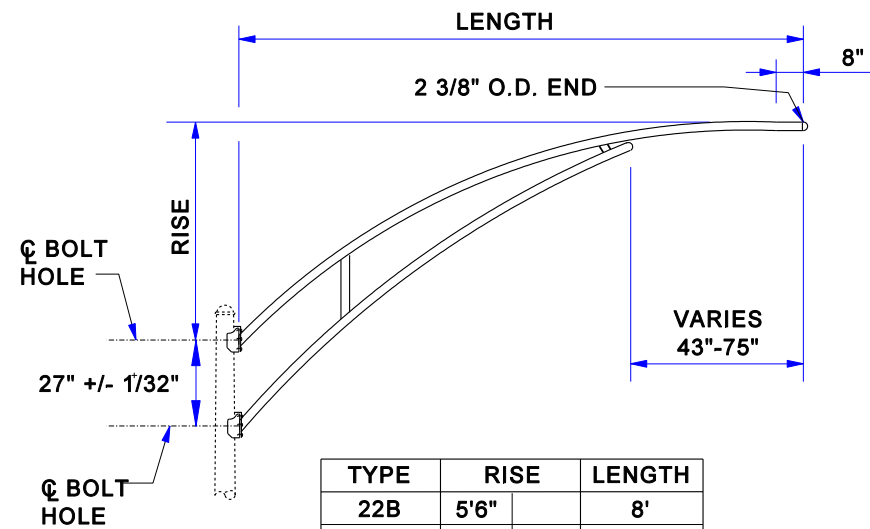
POLE TYPE	SHAFT LENGTH	SHAFT DIAMETER		GAUGE	DRILLED SHAFT FOUNDATION
		BOTTOM	TOP		
11	24.0'	7.0"	3.5"	11	* TYPE 1
8	27.5'	8.0"	4.22"	11	* TYPE 2
18	33.5'	8.5"	5.17"	11	* TYPE 3
18A	46'	10.0"	5.74"	11	* TYPE 6
19	27.5'	11.0"	7.15"	7	* TYPE 8

* SEE FOUNDATION DESIGN TABLE



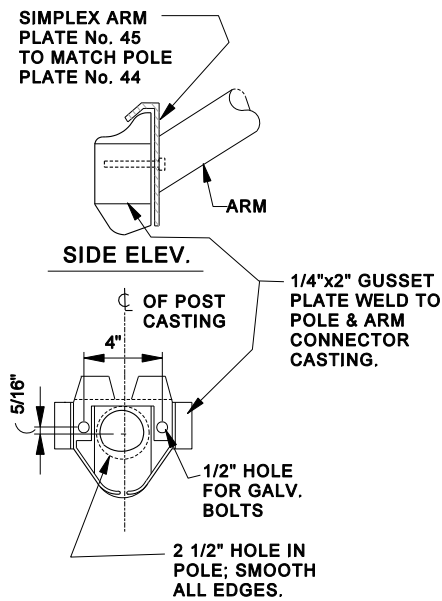
SINGLE PIECE STEEL POLE SHAFT

FOR POLE TYPE No's 8, 11, 18, 18A & 19



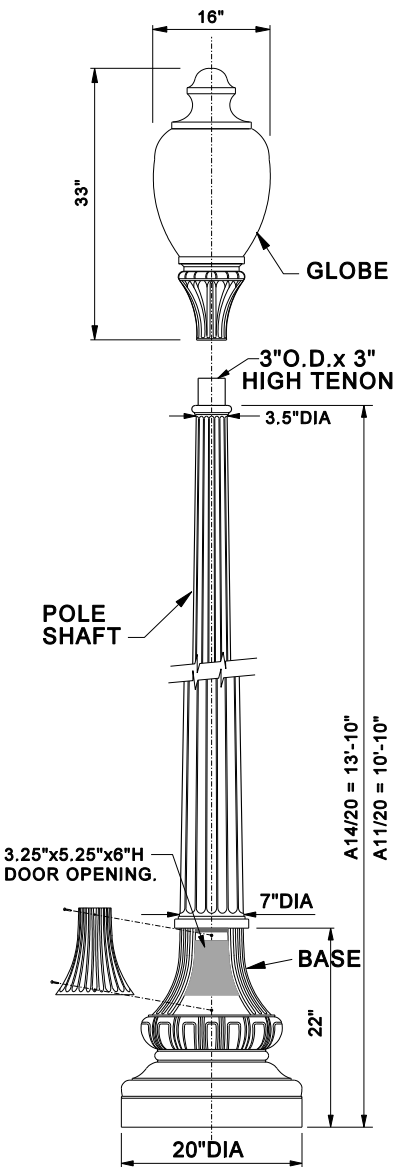
TYPE	RISE	LENGTH
22B	5'6"	8'
23A	5'6"	10'
24A	5'6"	12'
25A	5'6"	15'
25	3'	15'

TRUSS TYPE LUMINAIRE SUPPORT ARM



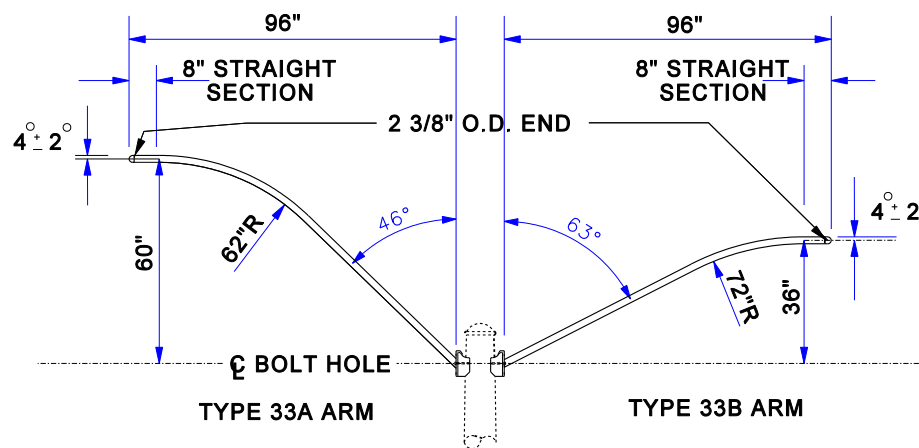
ARM CONNECTOR DET.

FOR SIMPLEX POLE PLATE No. 44 AND ARM PLATE No. 45



ANTIQUE STYLE POLE

(2 DIFFERENT HEIGHT POLES)



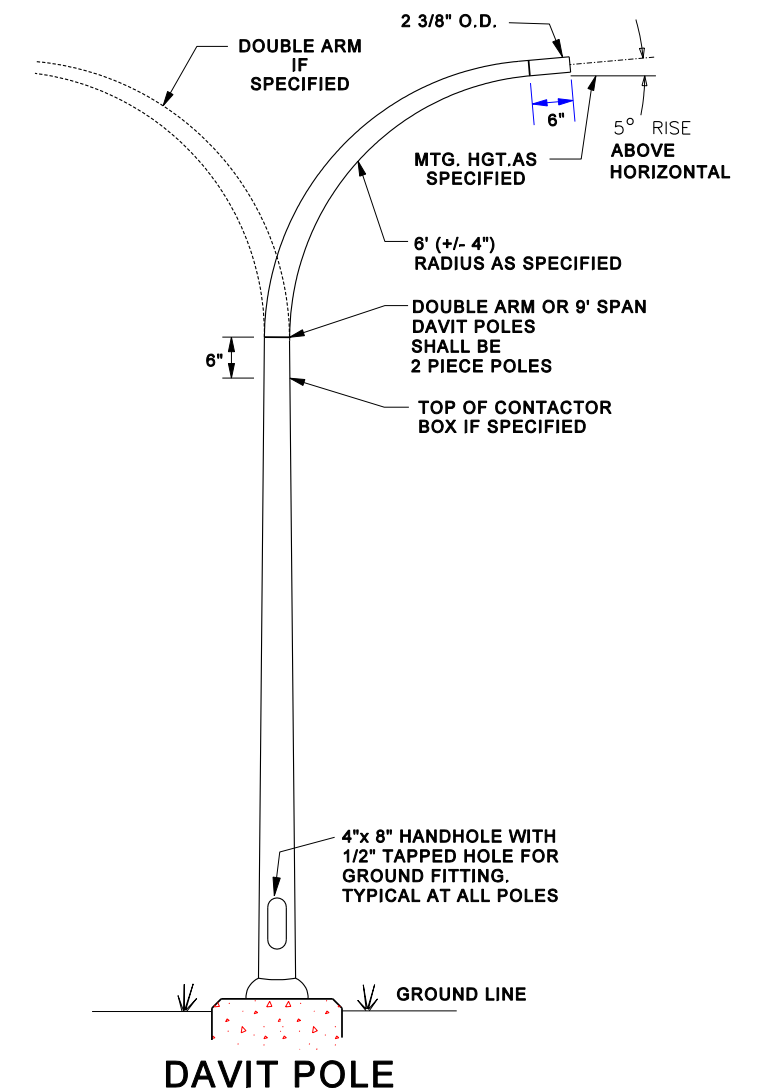
SINGLE MEMBER LUMINAIRE SUPPORT ARM



THE SEAL APPEARING ON THIS DOCUMENT WAS AUTHORIZED BY RONNIE R. VARNELL, P.E. 52203 ON 1-31-08.

SINGLE PIECE DAVITT POLE					
TYPE NUMBER	MOUNTING HGT. FT	MINIMUM SHAFT SIZE AT BASE	SPAN	GAUGE (MIN.)	DRILLED SHAFT FOUNDATION TYPE
D25-6	25	7.5"	6'	#11	* TYPE 4
D30-6	30	8.0"	6'	#11	* TYPE 2
40 FT. DAVITT STANDARD					
D40-9	40	9.5"	N/A	#11	* TYPE 5
SINGLE DAVITT ARM					
D40-9	N/A	N/A	9'	#11	N/A
DOUBLE DAVITT ARM					
D40-6T	N/A	N/A	6'	#11	N/A
D40-9T	N/A	N/A	9'	#11	N/A

* SEE FOUNDATION DESIGN TABLE



DAVIT POLE

REV.: 1-28-08 REMOVE EMBEDDED POLES BY JOE RADENZ
 REV.: 3-02-04 TO CHANGE ARM TYPES BY JOE RADENZ
 REV. TO ADD EMBEDDED POLES & SIMPLEX No. 44 PLATE 2-13-04 BY JOE RADENZ.

DEPT. OF TRANSPORTATION AND PUBLIC WORKS
 TRAFFIC SERVICES DIVISION



STREET LUMINAIRE POLE DETAILS

DESIGNED BY	DATE	CHECKED BY	DATE	LOC. No.
JOE RADENZ	8-27-03	RONNIE VARNELL	SEPT. 2003	
DRAWN BY	DATE	APPROVED BY	DATE	
JOE RADENZ	9-16-03	RONNIE VARNELL	SEPT. 2003	
SCALE:	N.T.S.	DRAWING No.:	3257	SHEET No. 3 OF 5